



Model No. : MicroPump



Product Features:

Beautiful appearance, compact size, variety colors to choose, OEM ideal choice, can be driven by stepper motor, DC motor etc.

Product Features:

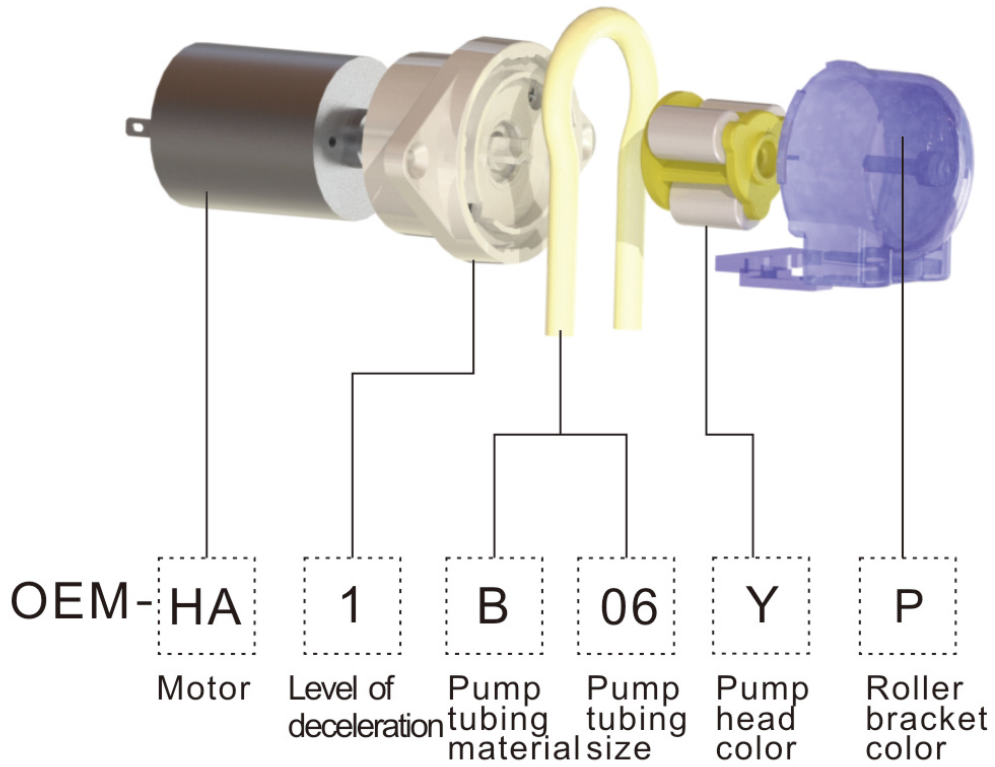
Biochemical analyzer, support medical equipment
Plant protection drone

Flow Data

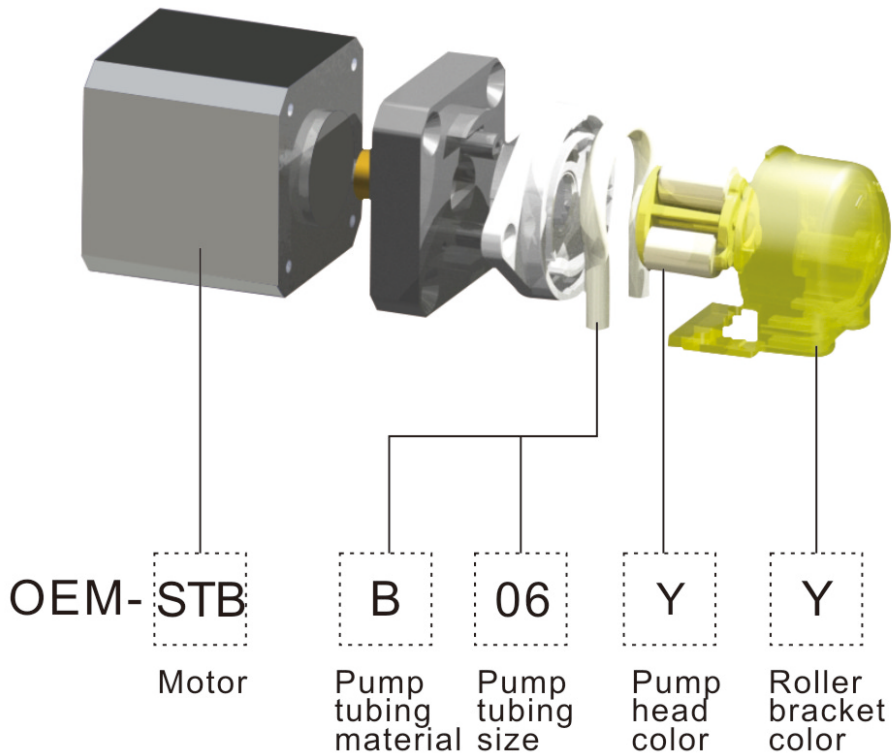
Flow model selection						
Tubing No.		B04	B06	B10	B22	
Tubing ID.(wall thickness 1mm)		1.0*1.1	2.0*1.0	3.0*1.0	4.0*1.0	
Tubing material		PhaMed BPT	PhaMed BPT	PhaMed BPT	PhaMed BPT	
Flow rate (mL/min)	24V Brush/Brushless HA/HD	Single gear	14.88	50.05	110.27	149.23
		Double gear	1.28	4.29	9.45	12.79
	12V Brush/Brushless HB/HE	Single gear	14.88	50.05	110.27	149.23
		Double gear	1.28	4.29	9.45	12.79
	6V Brush/Brushless HC/HF	Single gear	14.88	50.05	110.27	149.23
		Double gear	1.28	4.29	9.45	12.79
	35 Stepper motor(350rpm)STB		14.88	50.05	110.27	—
	42 Stepper motor(350rpm)STA		14.88	50.05	110.27	149.23



■ DC motor breakdown drawing



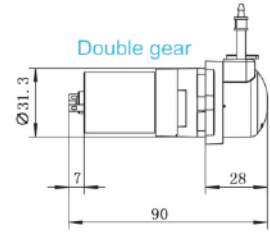
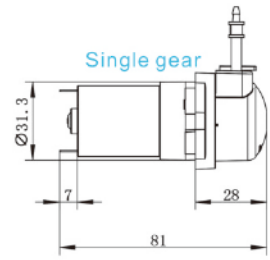
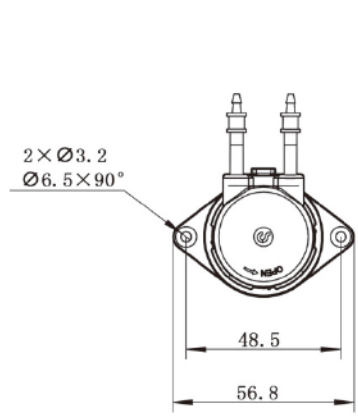
■ AC motor breakdown drawing





Dimension Drawing (Unit:mm)

DC Brush



DC Brushless

