



Model No. : OEM-MZ Series



Product Introduction

Minipump series products which adopt compact and embedded design are more suitable for supporting a variety of instruments and equipments. Single and dual channel are optional. It accepts 8 kinds of tubing. Flow rates are 0.0024-190 mL/min. PharMed BPT long-life tubing from French Saint-Gobain is installed in internal part of pump head. Applicable motors for Minipump are stepper motor, DC motor, AC motor and other modes to drive with wide applications.

Typical Application

Discharge condensate water in the flue gases survey meter.
Support biochemistry analytical instruments.

Flow Data

Pump Head	Tubing	ID×Wall(thickness(mm))	mL / r	Speed (rpm)	Flow Rate (mL/min)
MiniPump01	13#	0.8×1.6	0.024	0.1-300	0.0024-8.28
	14#	1.6×1.6	0.112		0.0112-33.88
	19#	2.4×1.6	0.252		0.0252-77.23
	16#	3.1×1.6	0.394		0.0394-114.31
	25#	4.8×1.6	0.652		0.0652-190.00
	1×1	1×1	0.05		0.005-15.01
	2×1	2×1	0.18		0.018-54.63
	2.5×1	2.5×1	0.256		0.0256-76.84
	3×1	3×1	0.356		0.0356-108.39
MiniPump02	1×1	1×1	0.05	0.1-300	0.005-15.01
	2×1	2×1	0.18		0.018-54.63
	2.5×1	2.5×1	0.256		0.0256-76.84



Moter Speed(rpm)	Dual Channel Flow rate(mL/min) and Tubing(1mm wall thickness)			
	ID 1mm	ID 2mm	ID 2.5mm	ID 3mm
5	0.25	0.90	1.28	1.78
10	0.49	1.84	2.59	3.52
15	0.74	2.76	3.85	5.30
25	1.25	4.57	6.43	8.80
40	2.00	7.31	10.25	14.02
50	2.52	9.14	12.78	17.47
75	3.76	13.64	19.04	26.12
100	5.03	18.17	25.42	35.34
200	10.12	36.45	51.27	71.44
250	12.63	45.75	64.34	88.35
300	15.01	54.63	76.84	108.39

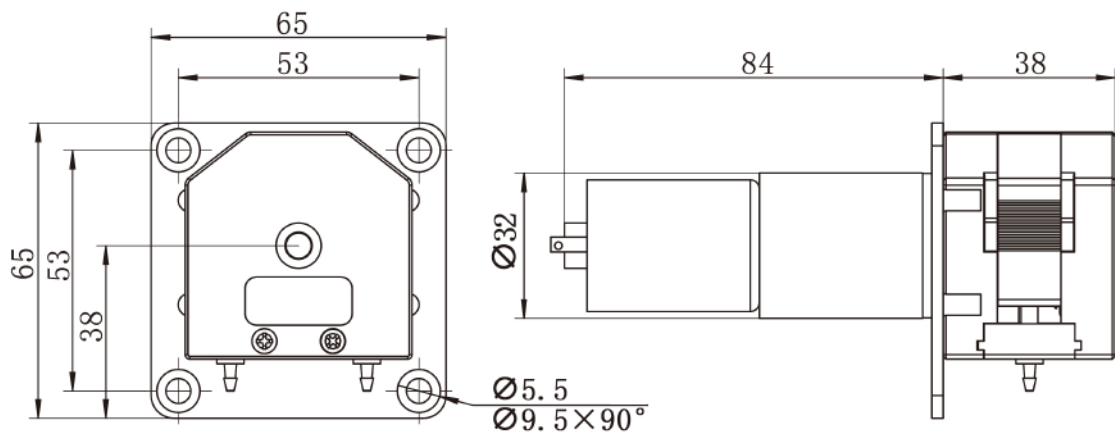
Moter Speed(rpm)	Single Channel Flow rate(mL/min) and Tubing(1.6mm wall thickness)				
	13# ID 0.8mm	14# ID 1.6mm	19# ID 2.4mm	16# ID 3.1mm	25# ID 4.8mm
5	0.12	0.56	1.26	1.97	3.26
10	0.26	1.15	2.53	3.90	6.41
15	0.39	1.74	3.80	5.80	9.52
25	0.66	2.88	6.31	9.59	15.74
40	1.08	4.59	10.11	15.29	25.15
50	1.34	5.69	12.62	18.96	31.14
75	2.00	8.54	18.93	28.36	46.55
100	2.73	11.37	25.27	37.66	61.98
200	5.46	22.76	50.82	76.02	124.14
250	6.81	28.40	65.39	95.08	153.63
300	8.28	33.88	77.23	114.31	190.00



Motor Specification

Model No.	Motor Type	Power Supply	Motor Speed (rpm±10%)	Flow Rate (mL/min)
OEM-MZ001	Φ37 DC motor	DC12V	170	≤107.67
OEM-MZ004			300	≤190.00
OEM-MZ104		DC24V	20	≤12.67
OEM-MZ107			100	≤61.98
OEM-MZ108			160	≤101.33
OEM-MZ111			300	≤190.00
OEM-MZ304	Φ32 DC planetary gear motor	DC24V	50	≤31.14
OEM-MZ306			100	≤61.98

Dimension Drawing (Unit:mm)



Tubing Installation Procedure



A. Make the two tubing clamps align the slide way of pump head two sides.



B. Ensure that the tubing is in the middle of rollers, and push the clamps into the pump head.



C. Make the compression block align the upper slide way of pump head.



D. Press the compression block into the pump head, and ensure it fixed.