



Model No. : OEM-B047/B048/B049/B060/B061



Product Introduction

Minipump series products which adopt compact and embedded design are more suitable for supporting a variety of instruments and equipments. Single and dual channel are optional. It accepts 8 kinds of tubing. Flow rates are 0.0024-190 mL/min. PharMed BPT long-life tubing from French Saint-Gobain is installed in internal part of pump head. Applicable motors for Minipump are stepper motor, DC motor, AC motor and other modes to drive with wide applications.

Typical Application

Discharge condensate water in the flue gases survey meter. Support biochemistry analytical instruments.

Flow Data

Pump Head	Tubing	ID×Wall(thickness(mm)	mL / r	Speed (rpm)	Flow Rate (mL/min)
MiniPump01	13#	0.8×1.6	0.024	0.1-300	0.0024-8.28
	14#	1.6×1.6	0.112		0.0112-33.88
	19#	2.4×1.6	0.252		0.0252-77.23
	16#	3.1×1.6	0.394		0.0394-114.31
	25#	4.8×1.6	0.652		0.0652-190.00
	1×1	1×1	0.05		0.005-15.01
	2×1	2×1	0.18		0.018-54.63
	2.5×1	2.5×1	0.256		0.0256-76.84
	3×1	3×1	0.356		0.0356-108.39
MiniPump02	1×1	1×1	0.05	0.1-300	0.005-15.01
	2×1	2×1	0.18		0.018-54.63
	2.5×1	2.5×1	0.256		0.0256-76.84



Moter Speed(rpm)	Dual Channel Flow rate(mL/min) and Tubing(1mm wall thickness)			
	ID 1mm	ID 2mm	ID 2.5mm	ID 3mm
5	0.25	0.90	1.28	1.78
10	0.49	1.84	2.59	3.52
15	0.74	2.76	3.85	5.30
25	1.25	4.57	6.43	8.80
40	2.00	7.31	10.25	14.02
50	2.52	9.14	12.78	17.47
75	3.76	13.64	19.04	26.12
100	5.03	18.17	25.42	35.34
200	10.12	36.45	51.27	71.44
250	12.63	45.75	64.34	88.35
300	15.01	54.63	76.84	108.39

Moter Speed(rpm)	Single Channel Flow rate(mL/min) and Tubing(1.6mm wall thickness)				
	13# ID 0.8mm	14# ID 1.6mm	19# ID 2.4mm	16# ID 3.1mm	25# ID 4.8mm
5	0.12	0.56	1.26	1.97	3.26
10	0.26	1.15	2.53	3.90	6.41
15	0.39	1.74	3.80	5.80	9.52
25	0.66	2.88	6.31	9.59	15.74
40	1.08	4.59	10.11	15.29	25.15
50	1.34	5.69	12.62	18.96	31.14
75	2.00	8.54	18.93	28.36	46.55
100	2.73	11.37	25.27	37.66	61.98
200	5.46	22.76	50.82	76.02	124.14
250	6.81	28.40	65.39	95.08	153.63
300	8.28	33.88	77.23	114.31	190.00



## Motor Specification

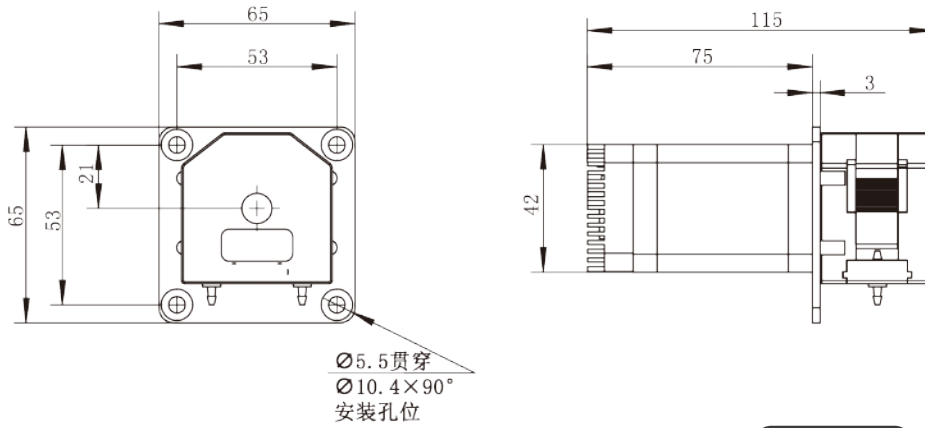
Model No.	OEM-B047/OEM-B048/OEM-B049
Speed range	0.1-300 rpm
Flow rate range	0.0024-190mL/min
Outer control	Passive switch signal control start/stop and direction
Speed control	OEM-B047: External potentiometer speed control 0-5V
	OEM-B048: External potentiometer speed control 0-10V
	OEM-B049: External potentiometer speed control 4-20mA
Motor type	42 stepper motor
Power supply	DC 24V, $\geq 36W$
Working environment	0-40°C, 80%RH

Model No.	OEM-B060/B061
Speed range	0.1-300 rpm
Flow rate range	0.0024-190mL/min
Outer control	OEM-B060: RS232 interface (Modbus)
	OEM-B061: RS485 interface (Modbus)
Motor type	42 stepper motor
Power supply	DC 24V, $\geq 36W$
Working environment	0-40°C, 80%RH

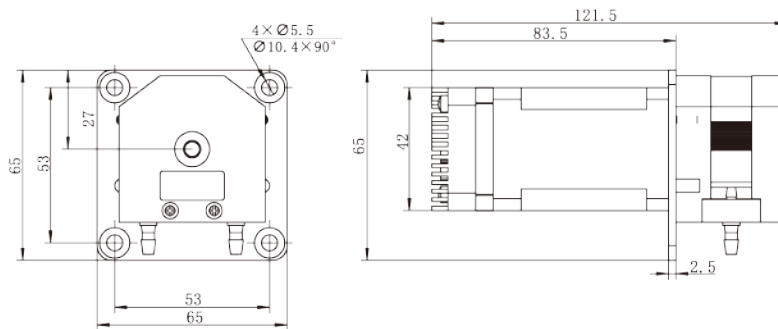


## Dimension Drawing (Unit:mm)

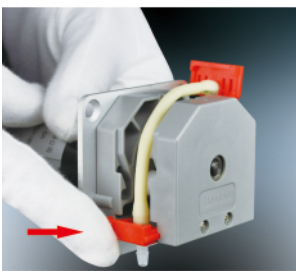
OEM-B047



OEM-B060



## Tubing Installation Procedure



A. Make the two tubing clamps align the slide way of pump head two sides.



B. Ensure that the tubing is in the middle of rollers, and push the clamps into the pump head.



C. Make the compression block align the upper slide way of pump head.



D. Press the compression block into the pump head, and ensure it fixed.